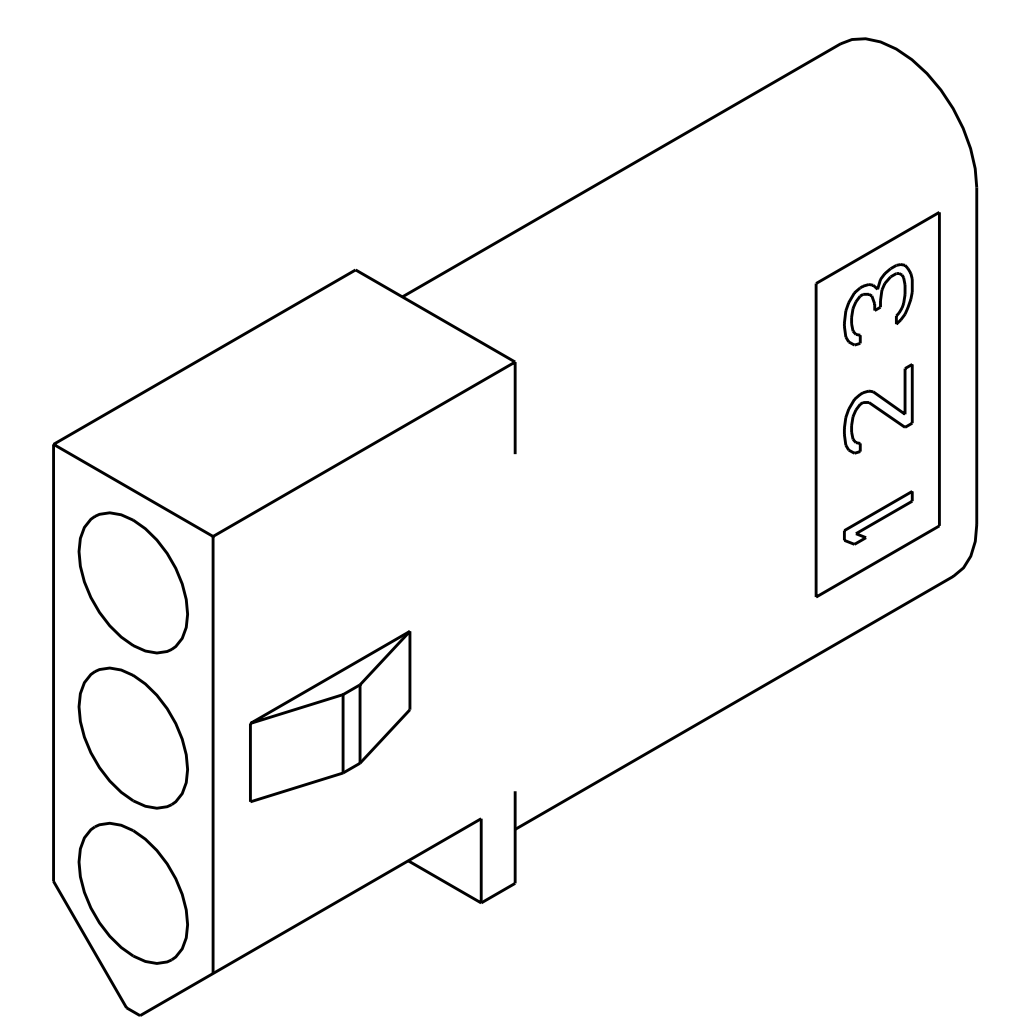
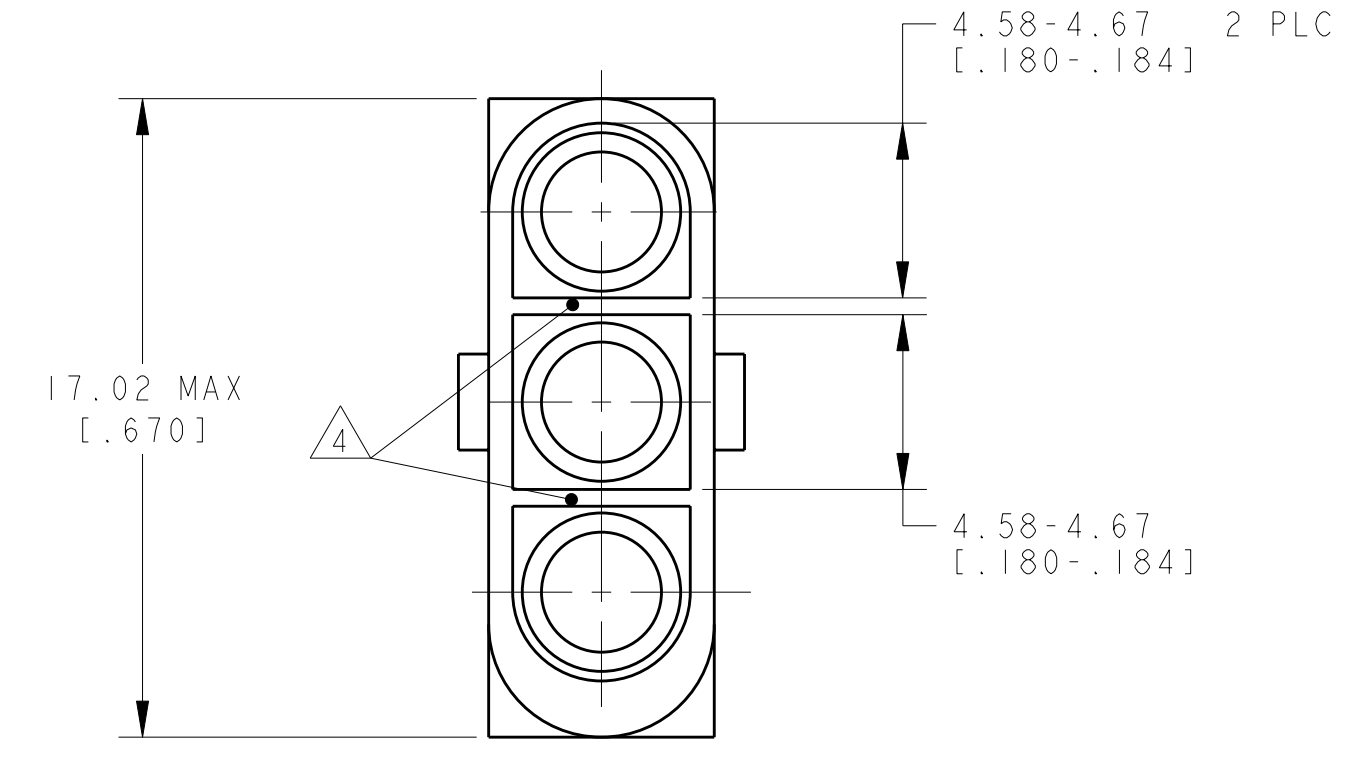
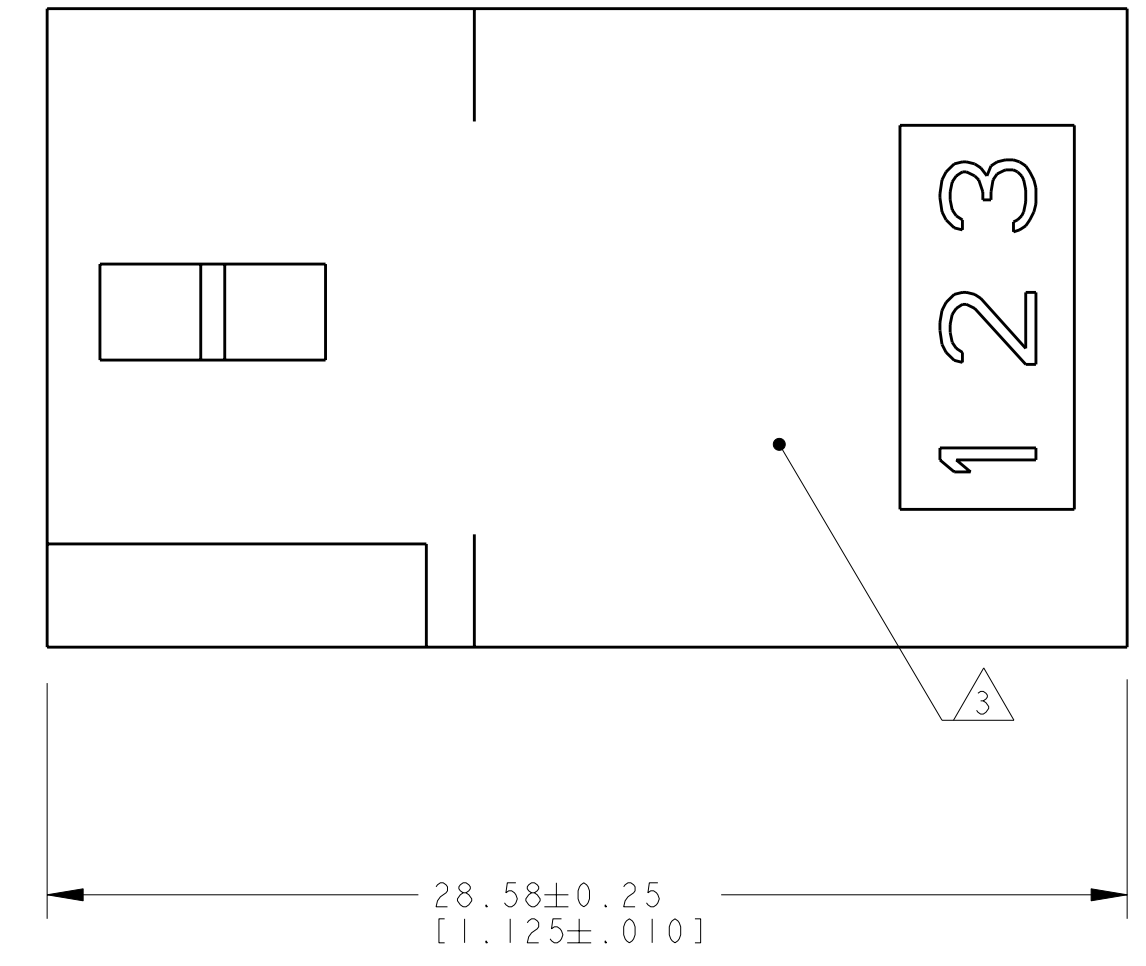
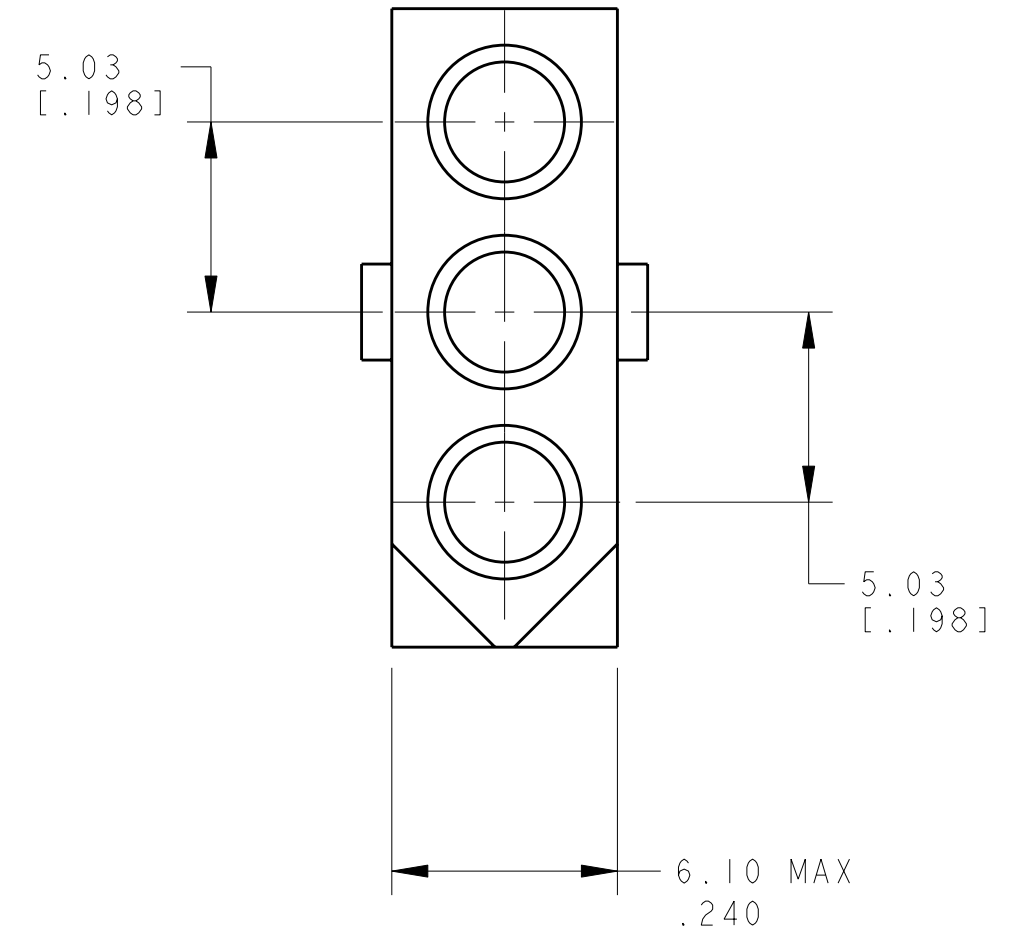


LOC	DIST	REV	DATE	BY	CHK	APPV
CM	00	L	2000104	KW	DC	
		L1	19JUL06	KW	DC	

- 1. MATERIAL: NYLON, UL94V-2 (NATURAL).
- 2. MARKING FOR UL AND CSA LOGO SHALL BE LOCATED ON ANY EXTERNAL SURFACE.
- 3. AMP LOGO AND CIRCUIT NUMBERS LOCATED IN AREA, EITHER SIDE, SIZE OPTIONAL, FROST BACKGROUND.
- 4. WALL THICKNESS TO MEASURE 0.36-0.46 [.014-.018]



**METRIC**

770070-1  
PART NUMBER

DIMENSIONS: mm [INCHES]		TOLERANCES UNLESS OTHERWISE SPECIFIED: 0 PLC ± 1 PLC ± 2 PLC ±0.13 (1.005) 3 PLC ± 4 PLC ± ANGLES ±0°30'		DWN R. WHITAKER 03AUG2004 CHK D. COLEY 03AUG2004 APVD D. COLEY 03AUG2004		Tyco Electronics Harrisburg, PA 17105-3608	
MATERIAL: - FINISH: -		WEIGHT: -		PRODUCT SPEC: - APPLICATION SPEC: -		NAME: RECEPTACLE, 3 CIRCUIT, .093 COMMERCIAL PIN AND SOCKET SIZE: A   00779   C=770070 RESTRICTED TO: -	
CUSTOMER DRAWING				SCALE: 5:1 SHEET 1 OF 1 REV: L1			